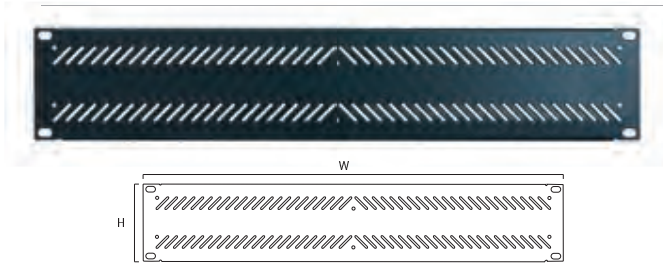


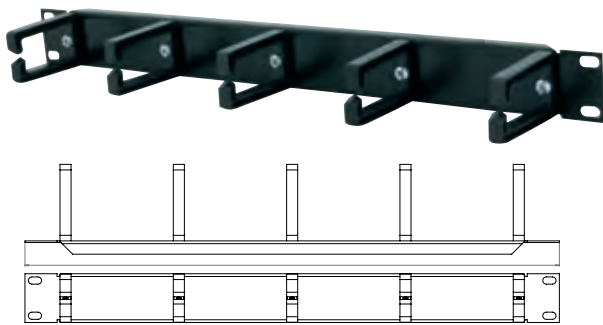
19" Ventilated Blanking Panels



Material	1,2 mm Steel	Finish	Electrostatic Powder Paint
Packaging	One piece in a box		

H (U)	D (mm)	W (mm)	Weight kg	Part No
1U	9	483	0,24	CCA-X-4005
2U	9	483	0,42	CCA-X-4006

19" 1U Horizontal Cable Organizer with Plastic Hooks



Material	1,5 mm Steel	Finish	Electrostatic Powder Paint
Packaging	One piece in a box		

H (mm)	D (mm)	W (mm)	Weight kg	Part No
1U	80	483	0,49	CCA-X-5001

19" 1 & 2 U Horizontal Cable Organizer with Metal Hooks



Material	1,5 mm Steel	Finish	Electrostatic Powder Paint
Packaging	One piece in a box		

H (U)	D (mm)	W (mm)	Weight kg	Part No
1U	80	483	0,50	CCA-X-5044
2U	80	483	0,65	CCA-X-5055

19" Hinged Covered Cable Organizer

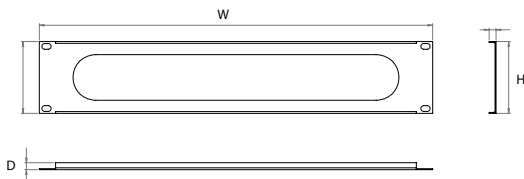


Material	Plastic ABS	Packaging	One piece in a box
-----------------	-------------	------------------	--------------------

H (U)	D (mm)	W (mm)	Weight kg	Part No
1U	80	485	0,25	CCA-X-5050
2U	110	485	0,63	CCA-X-5051

* X : Color code = 7: RAL 7035 (Grey); 9: RAL 9005 (Black)

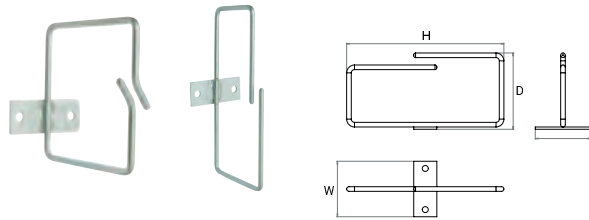
19" Cable Entry



Material 1,5 mm Steel	Finish Electrostatic Powder Paint
Packaging One piece in a box	

H (U)	D (mm)	W (mm)	Weight kg	Part No
1U	9	483	0,2	CCA-X-5029
2U	9	483	0,3	CCA-X-5030

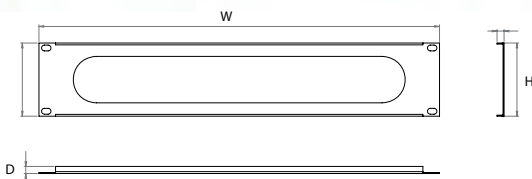
Cable Hook



Material Steel	Finish Zinc Plated
Packaging One piece in a Nylon	

H (mm)	D (mm)	W (mm)	Weight kg	Part No
100	100	60	0,09	CCA-0-5002
170	80	60	0,10	CCA-0-5003

19" Cable Entry with Brush

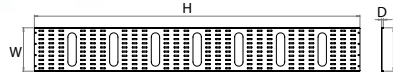


Material 1,5 mm Steel, Brush	Finish Electrostatic Powder Paint
Packaging One piece in a box	

H (U)	D (mm)	W (mm)	Weight kg	Part No
1U	10	483	0,2	CCA-X-5031
2U	10	483	0,3	CCA-X-5032

* X : Color code = 7: RAL 7035 (Grey); 9: RAL 9005 (Black)

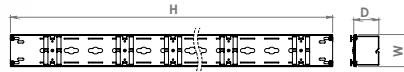
Vertical Side Cable Organizer Type2



Material	1,5 mm Steel, Plastic	Finish	Electrostatic Powder Paint
Packaging	Two pieces in a box		

H (U)	H (mm)	D (mm)	W (mm)	Weight kg	Part No
26U	1246	8	260	6,0	CCA-X-5017
32U	1510	8	260	7,2	CCA-X-5018
36U	1686	8	260	8,0	CCA-X-5019
39U	1820	8	260	8,9	CCA-X-5020
42U	1950	8	260	9,0	CCA-X-5021
47U	2170	8	260	10,8	CCA-X-5022

Modular Adjustable Vertical Cable Organizer Type1



Material	1,5 mm Steel	Finish	Electrostatic Powder Paint
Packaging	One piece in a box	Module Capacity	Max 10 pieces

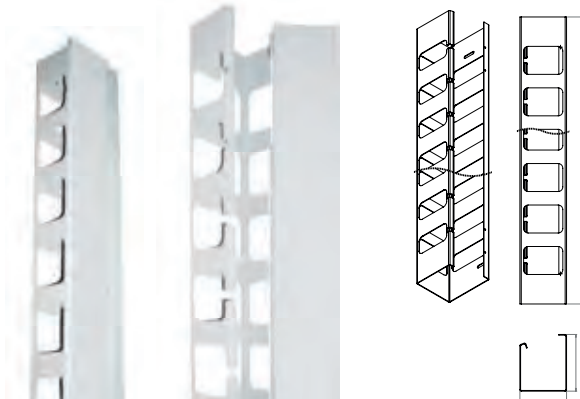
H (U)	D (mm)	W (mm)	Weight kg	Part No
42U	13	120	2,83	CCA-X-5023
47U	13	120	3,17	CCA-X-5024



Cable Management Module

H (mm)	D (mm)	W (mm)	Weight kg	Part No
150	70	90	0,42	CCA-X-5025

Front & Rear Organizer



Material	1,2 mm Steel, Plastic	Finish	Electrostatic Powder Paint
Packaging	Two pieces in a box		

H (U)	D (mm)	W (mm)	Weight kg	Part No
26U	92	100	7,6	CCA-X-5005
32U	92	100	8,2	CCA-X-5006
36U	92	100	9,4	CCA-X-5007
39U	92	100	10,2	CCA-X-5008
42U	92	100	11,0	CCA-X-5009
47U	92	100	12,4	CCA-X-5010

Only for 800 width cabinets

* X : Color code = 7: RAL 7035 (Grey); 9: RAL 9005 (Black)

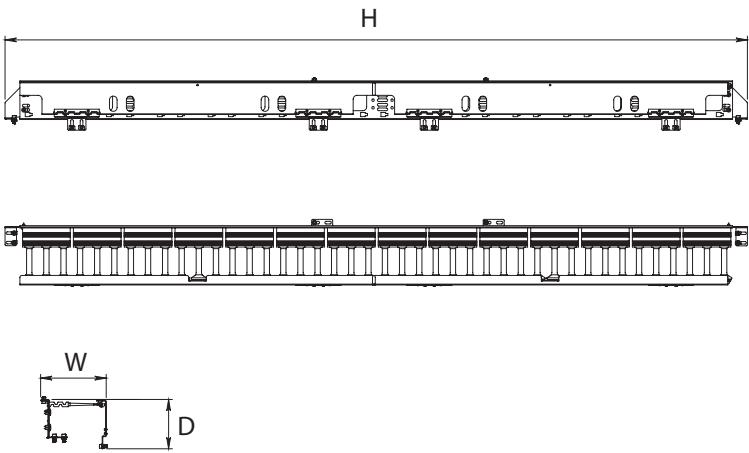
Finger Duct Vertical Cable Manager



Material ABS, Steel	Packaging Two pieces in a box
Mounting Back Plane	

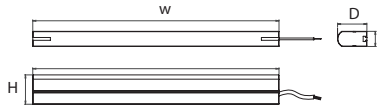
H (U)	H(mm)	D (mm)	W (mm)	Weight kg	Part No
42	1948	172	129	5,06	CCA-X-5026
47	2170	172	129	7,75	CCA-X-5027

Only for 800 width cabinets



* X : Color code = 7: RAL 7035 (Grey); 9: RAL 9005 (Black)

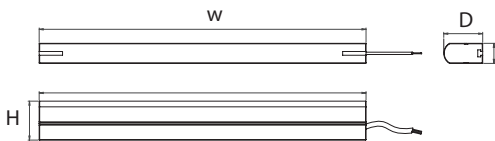
19" 1U Light



Material	1,2 mm Steel
Finish	Electrostatic Powder Paint
Packaging	One piece in a box
Power Consumption	11W
Voltage	AC 220 - 240 Volts 50/60 Hz

H (mm)	D (mm)	W (mm)	Weight kg	Part No
1U	53	483	0.5	CCA-X-7001

Led Light

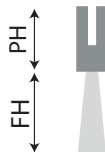


Material	Anodized Aluminum Extrusion
Finish	Electrostatic Powder Paint
Packaging	One piece in a box
Power Consumption	11W
Voltage	AC 220 - 240 Volts 50/60 Hz

Length (mm)	D (mm)	W (mm)	Weight kg	Part No
400	15	24	0,25	CCA-0-7025
400	15	24	0,25	CCA-0-7026 **

** with power plug

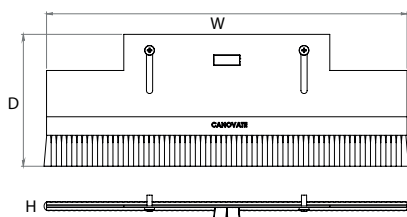
Cable Guide Brush Strip



Material	Plastic, Brush
Packaging	Two pieces in a box

PH	FH	W (mm)	Weight kg	Part No
18	30	350	0,15	CCA-9-5046

Adjustable Cable Entry Panel with Brush



Material	Plastic, Brush
Packaging	One piece in a box

H	D (mm)	W (mm)	Weight kg	Part No
12,5	128	350	0,78	CPA-X-5047
12,5	128	168	0,37	CPA-X-5048

CCA-X-5048 for Bottom of Seismic Cabinet 600 mm width

* X : Color code = 7: RAL 7035 (Grey); 9: RAL 9005 (Black)